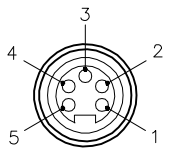


MALE END VIEW

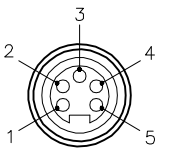
FEMALE END VIEW

WIRING DIAGRAM

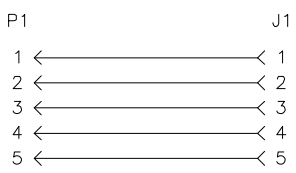
SPECIFICATIONS



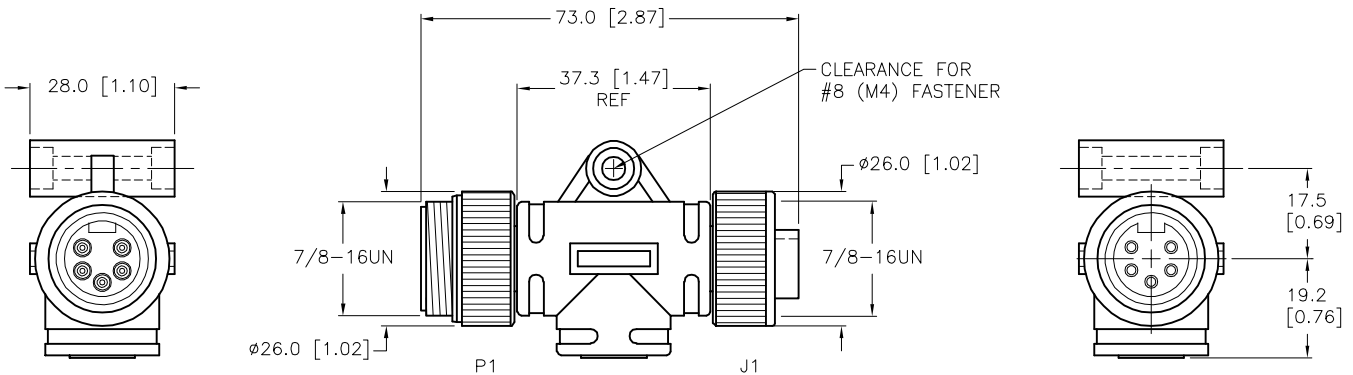
1 = SHIELD
 2 = + VOLTAGE
 3 = - VOLTAGE
 4 = CAN_H
 5 = CAN_L



1 = SHIELD
 2 = + VOLTAGE
 3 = - VOLTAGE
 4 = CAN_H
 5 = CAN_L



CONTACT CARRIER MATERIAL/COLOR	TPU/BLUE-GRAY
MOLDED HEAD MATERIAL/COLOR	TPU/BLUE-GRAY
CONTACT MATERIAL/PLATING	BRASS/GOLD
COUPLING NUT MATERIAL/PLATING	BRASS/NICKEL
RATED CURRENT [A]	9.0 A
RATED VOLTAGE [V]	250 V
TEMPERATURE RATING	-40°C TO +55°C (-40°F TO +131°F)
PROTECTION CLASS	MEETS NEMA 1,3,4,6P AND IEC IP67



SOURCE DRAWING - FOR REFERENCE ONLY

RELATED DOCUMENTS 1. 2. 3. 4.	3RD ANGLE PROJECTION 	THIS DRAWING IS CONFIDENTIAL AND THE PROPERTY OF TURCK INC. USE OF THIS DOCUMENT WITHOUT WRITTEN PERMISSION IS PROHIBITED.		3000 CAMPUS DRIVE MINNEAPOLIS, MN 55441 1-800-544-7769 (763) 553-7300 (763) 553-0708 fax www.turck.us	
	MATERIAL	DRFT CBM	DATE 06/27/00	DESCRIPTION RSM RKM 57	
FINISH	ALL DIMENSIONS DISPLAYED ON THIS DRAWING ARE FOR REFERENCE ONLY	APVD	SCALE 1=1.5	IDENTIFICATION NO. U5345-0	
	CONTACT TURCK FOR MORE INFORMATION	UNIT OF MEASUREMENT MILLIMETER [INCH]		REV D	
D UPDATE RATED VOLTAGE	NF 08/02/17	61408		DO NOT SCALE THIS DRAWING	
REV DESCRIPTION	BY DATE ECO NO.	FILE: U5345-0		SHEET 1 OF 1	

D	UPDATE RATED VOLTAGE	NF	08/02/17	61408
REV	DESCRIPTION	BY	DATE	ECO NO.